

BIOENGINEERING (BENG) ~ "NEW"

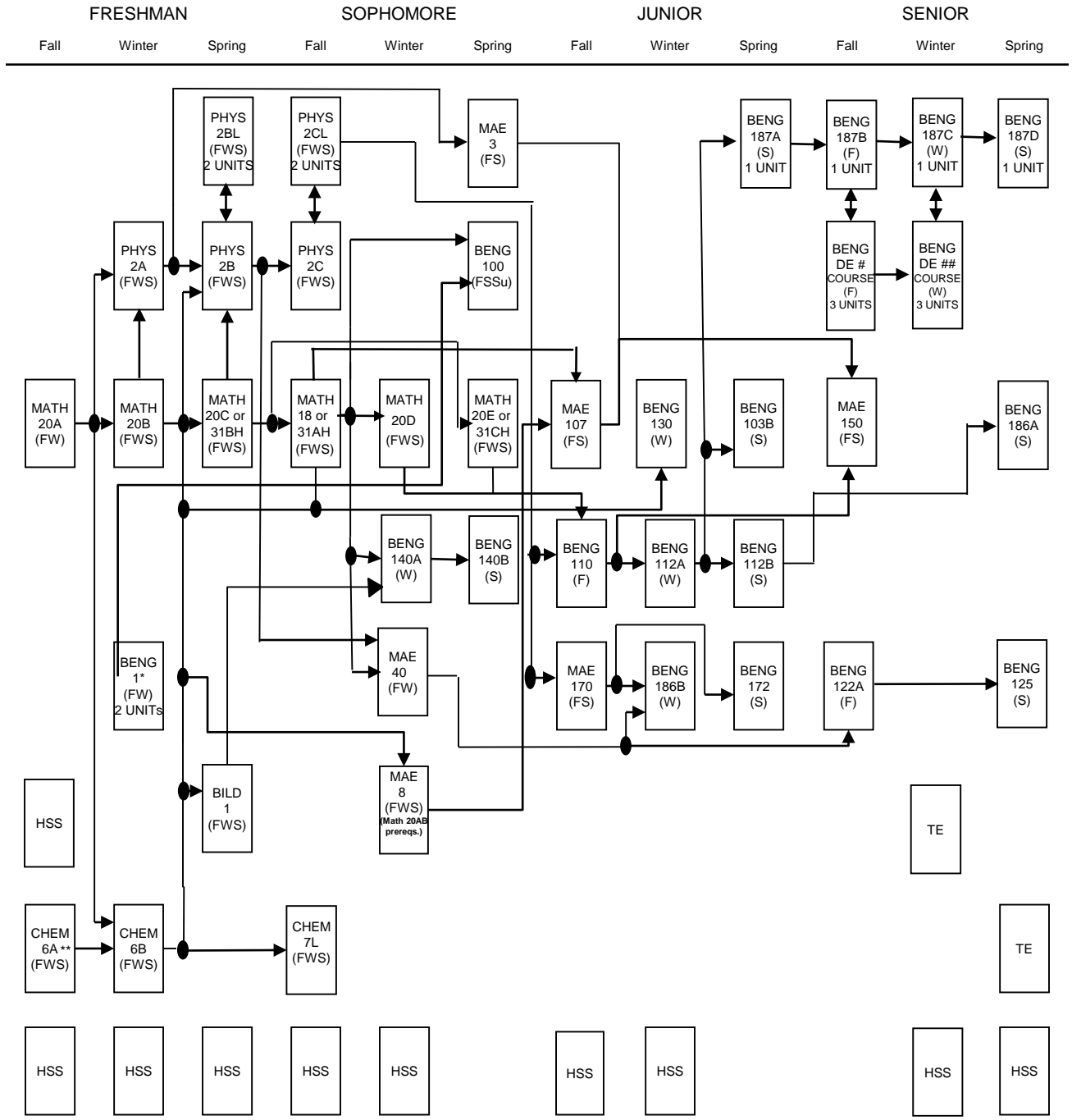
COURSE FLOWCHART

(EFFECTIVE FALL 2015)

Accredited by the Engineering Accreditation Commission of the

Accreditation Board for Engineering & Technology [EAC/ABET]

(ALL COURSES REQUIRED FOR THE MAJOR MUST BE TAKEN FOR LETTER GRADES.) ~ REV. 7/22/2024



DE COURSES (FALL):
BENG 119A, 126A, 127A,
128A, 129A, 139A, 147A,
148A, 149A, 169A, or 179A

DE COURSES (WTR.):
BENG 119B, 126B, 127B,
128B, 129B, 139B, 147B,
148B, 149B, 169B, or
179B

++BENG 191 may be taken
once and is recommended
for Juniors and Seniors,
but not required.

Electives:

BENG
191 ++
2 units
(W)

BENG
199
(FWS)

**Prerequisites for CHEM 6A: CHEM 4, or AP Chemistry score of 3, or Math Placement Exam qualifying score, or AP Calculus AB score of 2, or MATH 3C or higher.